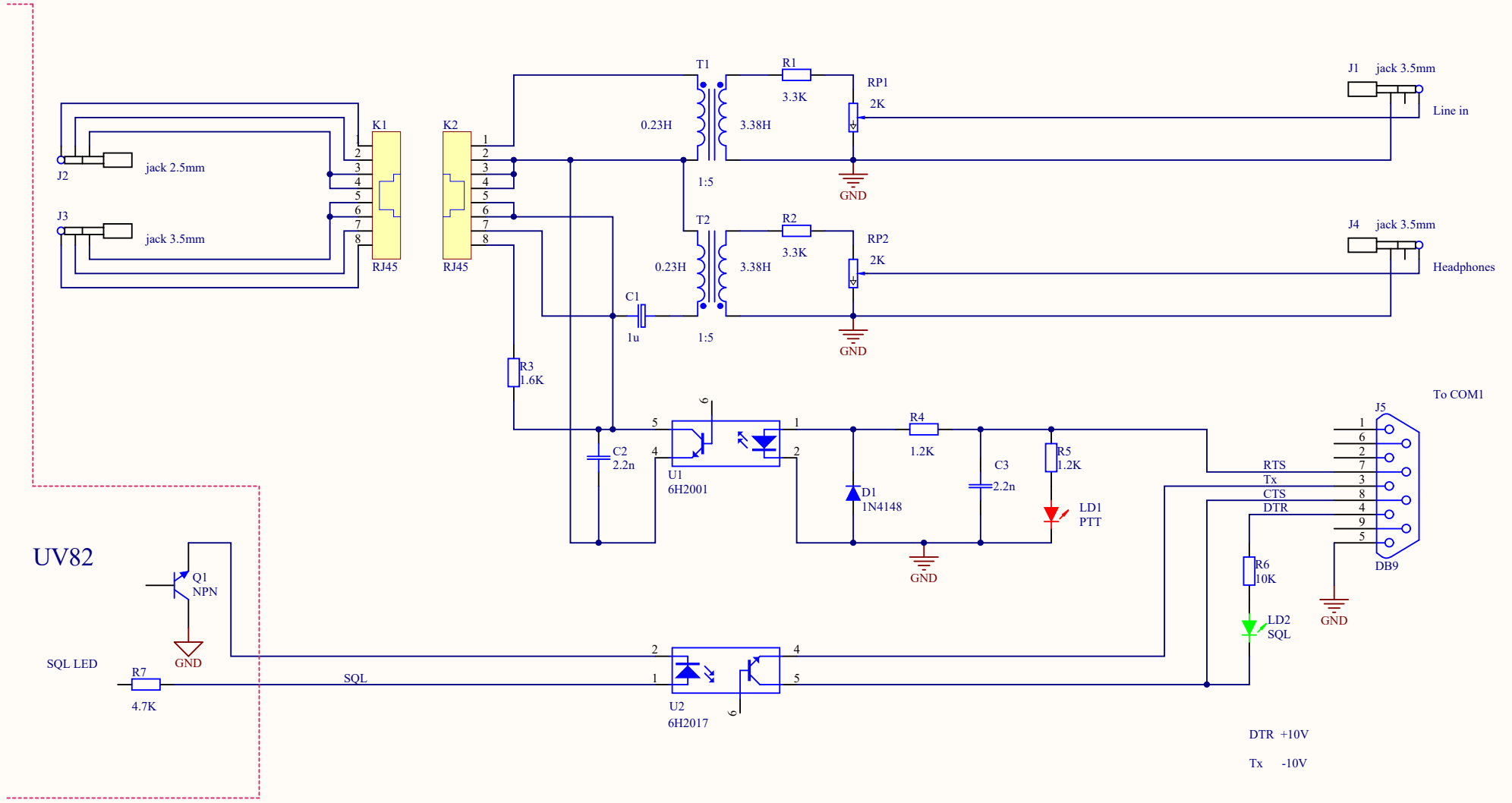


# Echolink audio interface



Title		
Size	Number	Revision
A4		
Date:	31.1.2025 r.	Sheet of
File:	F:\Altium Shemi\Interface repeater Echolink	18 of 18